



# LNB KA-BAND ISO 9000XI



### TYPICAL SPECIFICATIONS

Noise figure	1.7 dB @ 23°C
L.O. stability	Phase locked to External Reference
Phase noise (SSB) max	-62 dBc/Hz at 100Hz -72 dBc/Hz at 1kHz -82 dBc/Hz at 10kHz -92 dBc/Hz at 100kHz -102 dBc/Hz at 1MHz
Input VSWR	1.3 : 1
Output VSWR	1.8 : 1

Conversion gain	60 dB
Output P1dB	+15 dBm
Power requirements	+15 to +24 V supplied through center conductor of IF cable
Waveguide Flange	WR42
Current drain	400 mA
Dimensions	154(L) x 76(W) x 51(H)mm (6.1 x 3 x 2 in)
Weight	700g (24.7 oz)
Temperature Range	-40°C to +60°C
Gain Flatness	2.0 dB max over Band
External Ref 10MHz	-5 to 5 dBm
Desensitization	-20 dBm (30 to 31 GHz)
Max Input No Damage	-10 dBm (20.2 to 21.2 GHz)

### FREQUENCY BANDS AVAILABLE

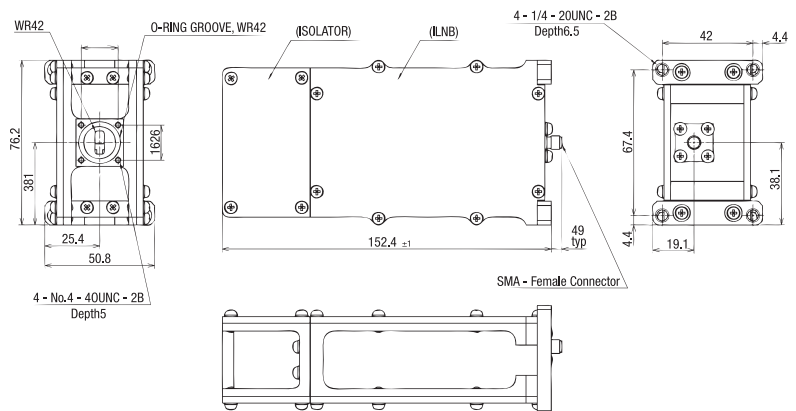
Typical service	9000XI
Input frequency (GHz)	20.20 to 21.20
L.O. frequency (GHz)	19.20
Output frequency (MHz)	1000 to 2000

### HOW TO ORDER KA-BAND 9000XI

#### 9000XIN

- CONNECTOR..... N - 50 Ohm  
S - SMA  
F - F
- ISOLATOR
- EXTERNAL REFERENCE

LNB SERIES #



### MECHANICAL DIAGRAM